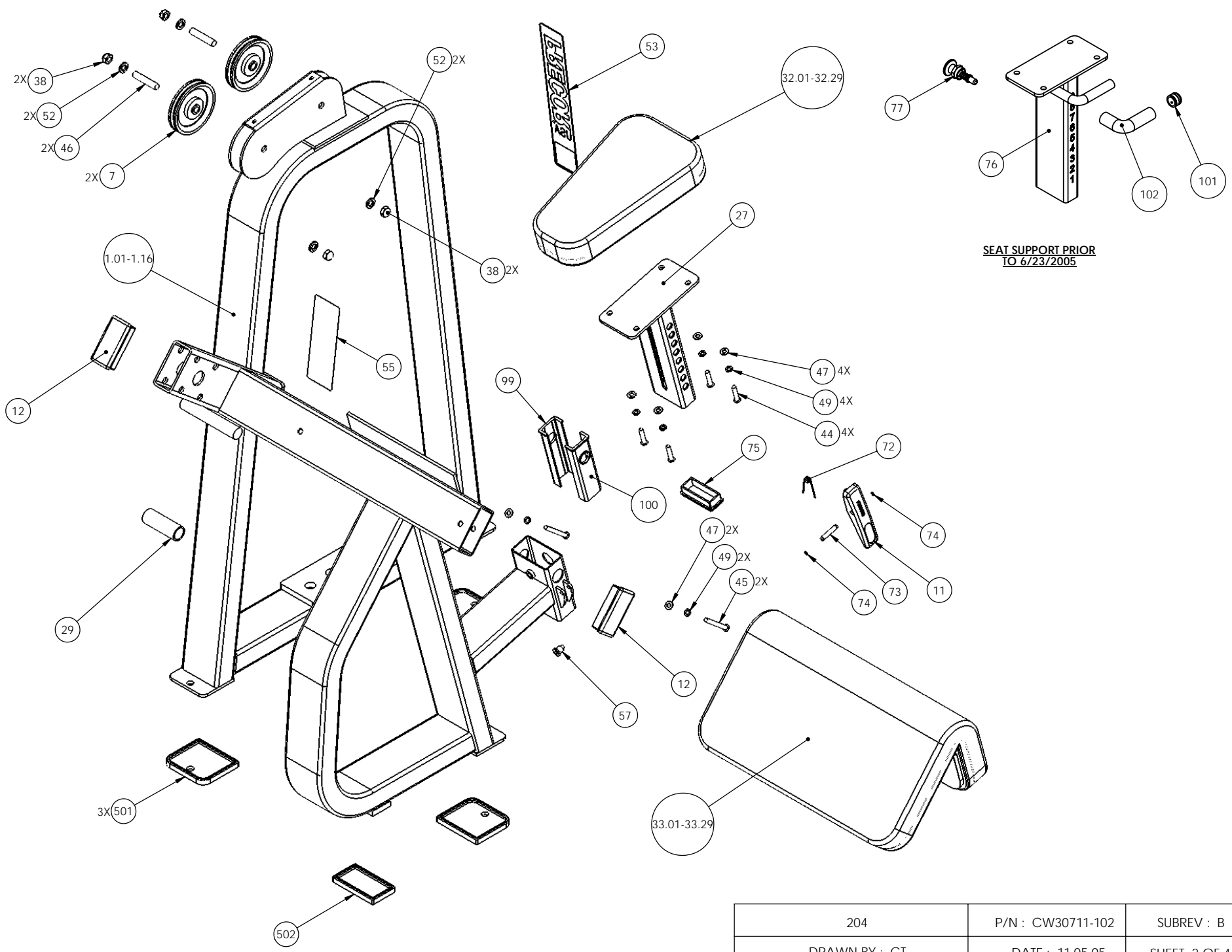
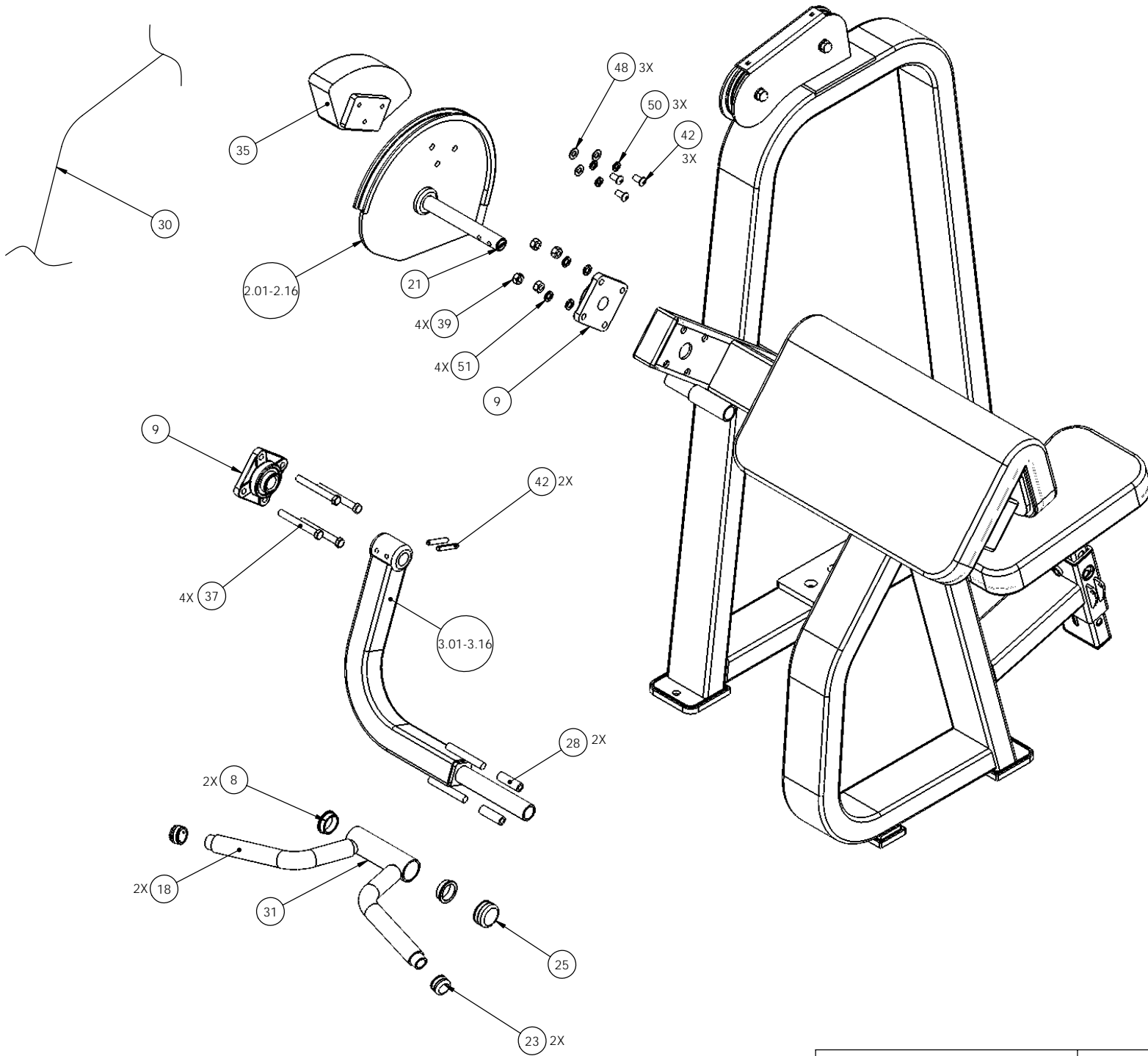


204	P/N : CW30711-102	SUBREV : B
DRAWN BY : CT	DATE : 11.05.05	SHEET 1 OF 4

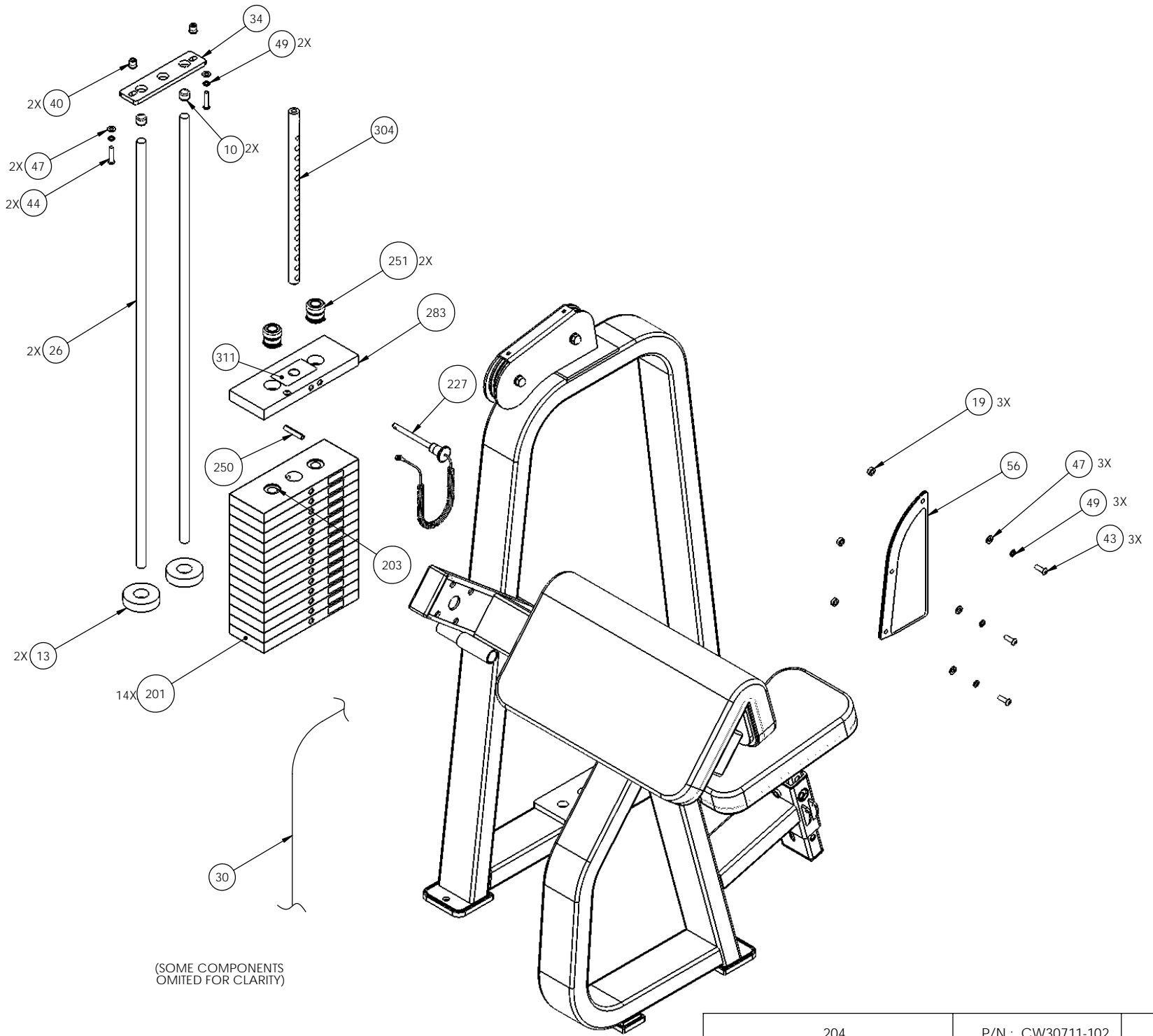


**SEAT SUPPORT PRIOR  
TO 6/23/2005**

204	P/N : CW30711-102	SUBREV : B
DRAWN BY : CT	DATE : 11.05.05	SHEET 2 OF 4



204	P/N : CW30711-102	SUBREV : B
DRAWN BY : CT	DATE : 11.05.05	SHEET 3 OF 4



204	P/N : CW30711-102	SUBREV : B
DRAWN BY : CT	DATE : 11.05.05	SHEET 4 OF 4



## 204 Camber Curl

Part Number	Description	Bubble Number
CW204SA1-211	ASSY,FRAME,MAIN,204,SKY WHITE	1.01
CW204SA1-212	ASSY,FRAME,MAIN,204,SKY WHITE	1.01
CW204SA1-221	ASSY,FRAME,MAIN,204,BLACK	1.02
CW204SA1-231	ASSY,FRAME,MAIN,204,RED	1.03
CW204SA1-251	ASSY,FRAME,MAIN,204,SILVER	1.05
CW204SA1-261	ASSY,FRAME,MAIN,204,BLUE	1.06
CW204SA1-271	ASSY,FRAME,MAIN,204,CHARCOAL	1.07
CW204SA1-281	ASSY,FRAME,MAIN,204,CATHEDRAL GRAY	1.08
CW204SA1-291	ASSY,FRAME,MAIN,204,SILVER VIEN	1.09
CW204SA1-321	ASSY,FRAME,MAIN,204,TITANIUM HG	1.12
CW204SA1-322	ASSY,FRAME,MAIN,204,TITANIUM HG	1.12
CW204SA1-331	ASSY,FRAME,MAIN,204,WHITE GLOSS	1.13
CW204SA1-341	ASSY,FRAME,MAIN,204,BLACK ONYX	1.14
CW204SA1-351	ASSY,FRAME,MAIN,204,LIGHT BRONZE	1.15
CW204SA1-361	ASSY,FRAME,MAIN,204,SAPPHIRE BLUE	1.16
CW204SA2-211	ASSY, 204 CAM,SKY WHITE	2.01
CW204SA2-221	ASSY, 204 CAM,BLACK	2.02
CW204SA2-231	ASSY, 204 CAM,RED	2.03
CW204SA2-241	ASSY, 204 CAM,PLATINUM SPKLE	2.04
CW204SA2-251	ASSY, 204 CAM,SILVER	2.05
CW204SA2-261	ASSY, 204 CAM,BLUE	2.06
CW204SA2-271	ASSY, 204 CAM,CHARCOAL	2.07
CW204SA2-281	ASSY, 204 CAM, CATHEDRAL GREY	2.08
CW204SA2-291	ASSY, 204 CAM,SILVER VIEN	2.09
CW204SA2-321	ASSY, 204 CAM,TITANIUM HG	2.12
CW204SA2-331	ASSY, 204 CAM,WHITE GLOSS	2.13
CW204SA2-341	ASSY, 204 CAM,BLACK ONYX	2.14
CW204SA2-351	ASSY, 204 CAM,LIGHT BRONZE	2.15
CW204SA2-361	ASSY, 204 CAM,SAPPHIRE BLUE	2.16
CW204205SA3-211	ASSY, ARM, 204/205,SKY WHITE	3.01
CW204205SA3-221	ASSY, ARM, 204/205,BLACK	3.02
CW204205SA3-231	ASSY, ARM, 204/205,RED	3.03
CW204205SA3-241	ASSY, ARM, 204/205,PLAT SPKLE	3.04
CW204205SA3-251	ASSY, ARM, 204/205,SILVER	3.05
CW204205SA3-261	ASSY, ARM, 204/205,BLUE	3.06
CW204205SA3-271	ASSY, ARM, 204/205,CHARCOAL	3.07
CW204205SA3-291	ASSY, ARM, 204/205,SILVER VIEN	3.09
CW204205SA3-321	ASSY, ARM, 204/205,TITANIUM HG	3.12
CW30023-101	LABEL,INSTRUCTION,204	4
CWAC1001-101	LABEL, "ICARIAN", 1 1/2 X 8 1/8	5
CWAC1002-101	LABEL, "ICARIAN", 3 X 16 3/8	6
CW11311-102	ENDCAP, REC TUBE, 2X4, BLK PLASTIC	12
CW34822-101	LABEL, "ASSEMBLED IN THE USA"	14
CWAC1161-101	LABEL, ROUND, "MADE IN USA"	14
CWAC1164-101	LABEL, WARNING, SERIOUS INJURY	16
CWAC1183-101	PLACARD, CLEAR LEXAN, ANGLED	20
CW30007-101	LABEL, ROUND, "PIVOT"	21
CWAC1232-101	TUBE, VINYL, 5/8 OD X 3/8 ID X 2.0	28

CW10340-200	GRIP, RUBBER, 1.00" OD HANDLE, 3.50	29
CWGR4603-500	ASSY, CABLE, 204, 712	30
CWCLGH066-625	PAD,5X9X14.5,4HOLES,W/BP,RYL BL	32.02
CWPD1207B-102	PAD,5X9X14.5,4HOLES,W/BP,DVE GRY	32.03
CWPD1207B-103	PAD,5X9X14.5,4HOLES,W/BP,CROCUS	32.04
CWPD1207B-104	PAD,5X9X14.5,4HOLES,W/BP,GROTTO	32.05
CWPD1207B-105	PAD,5X9X14.5,4HOLES,W/BP,RED	32.07
CWPD1207B-107	PAD,5X9X14.5,4HOLES,W/BP,CHN GRN	32.08
CWPD1207B-108	PAD,5X9X14.5,4HOLES,W/BP,TURQSE	32.09
CWPD1207B-109	PAD,5X9X14.5,4HOLES,W/BP,PLUM	32.11
CWPD1207B-111	PAD,5X9X14.5,4HOLES,W/BP,SPC BLUE	32.13
CWPD1207B-113	PAD,5X9X14.5,4HOLES,W/BP,IMPRL BL	32.18
CWPD1207B-118	PAD,5X9X14.5,4HOLES,W/BP,YEW GRN	32.19
CWPD1207B-119	PAD,5X9X14.5,4HOLES,W/BP,DSTY JD	32.2
CWPD1207B-120	PAD,5X9X14.5,4HOLES,W/BP,TER COT	32.21
CWPD1207B-121	PAD,5X9X14.5,4HOLES,W/BP,PAPRIKA	32.22
CWPD1207B-122	PAD,5X9X14.5,4HLS,W/BP,ASH LTHR	32.23
CWPD1207B-123	PAD,5X9X14.5,4HLS,W/BP,CHARCOAL LTH	32.25
CWPD1207B-125	PAD,5X9X14.5,4HLS,W/BP,HUNTER LTHR	32.26
CWPD1207B-126	PAD,5X9X14.5,4HLS,W/BP,MOSS LTHR	32.27
CWPD1207B-127	PAD,5X9X14.5,4HLS,W/BP,SPICE LTHR	32.28
CWPD1207B-128	PAD,5X9X14.5,4HLS,W/BP,TOMATO LTH	32.29
CWPD1207B-129	PAD,ANG,2P(9.69X22)(5.63X22)BLK,W/S	33.01
CWPD1500J-101	PAD,ANG,2P(9.69X22)(5.63X22)RY BL,W	33.02
CWPD1500J-102	PAD,ANG,2P(9.69X22)(5.63X22)DV GR,W	33.03
CWPD1500J-103	PAD,ANG,2P(9.69X22)(5.63X22)CRCS,W/	33.04
CWPD1500J-104	PAD,ANG,2P(9.69X22)(5.63X22)GRTO,W/	33.05
CWPD1500J-105	PAD,ANG,2P(9.69X22)(5.63X22)GRPHT,W	33.06
CWPD1500J-106	PAD,ANG,2P(9.69X22)(5.63X22)RED,W/S	33.07
CWPD1500J-107	PAD,ANG,2P(9.69X22)(5.63X22)CHGR,W/	33.08
CWPD1500J-108	PAD,ANG,2P(9.69X22)(5.63X22)TRQS,W/	33.09
CWPD1500J-109	PAD,ANG,2P(9.69X22)(5.63X22)RASP,W/	33.1
CWPD1500J-110	PAD,ANG,2P(9.69X22)(5.63X22)PLUM,W/	33.11
CWPD1500J-111	PAD,ANG,2P(9.69X22)(5.63X22)RGMT,W/	33.12
CWPD1500J-112	PAD,ANG,2P(9.69X22)(5.63X22)SP BL,W	33.13
CWPD1500J-113	PAD,ANG,2P(9.69X22)(5.63X22)BLK LT,	33.15
CWPD1500J-115	PAD,ANG,2P(9.69X22)(5.63X22)NBL LT,	33.16
CWPD1500J-116	PAD,ANG,2P(9.69X22)(5.63X22),PUTTY,	33.17
CWPD1500J-117	PAD,ANG,2P(9.69X22)(5.63X22),IMP BL	33.18
CWPD1500J-118	PAD,ANG,2P(9.69X22)(5.63X22),YW GRN	33.19
CWPD1500J-119	PAD,ANG,2P(9.69X22)(5.63X22),DST JD	33.2
CWPD1500J-120	PAD,ANG,2P(9.69X22)(5.63X22)TER COT	33.21
CWPD1500J-121	PAD,ANG,2P(9.69X22)(5.63X22),PAPRKA	33.22
CWPD1500J-122	PD,ANG,2P,9.69X22,5.63X22,ASH LTHR,	33.23
CWPD1500J-123	PD,ANG,2P,9.69X22,5.63X22,CERLN LTH	33.24
CWPD1500J-124	PD,ANG,2P,9.69X22,5.63X22,CHRCL LTH	33.25
CWPD1500J-125	PD,ANG,2P,9.69X22,5.63X22,HUNTR LTH	33.26
CWPD1500J-126	PD,ANG,2P,9.69X22,5.63X22,MOSS LTH,	33.27
CWPD1500J-127	PD,ANG,2P,9.69X22,5.63X22,TOMTO LTH	33.29
CWPD1500J-129	WEIGHT STACK,150 LBS,MTP-S,14 X 10	36
CW30093-150	WEIGHT STACK,75 LBS,STP-S,14 X 05 L	36.1
CW30083-075	NUT,INSERT,THIN-NUT,LARGE FLANGE	40

CW12537-109	LABEL, PRECOR USA ICARIAN LINE	53
CW31756-101	PLACARD, CLEAR LEXAN, ANGLED	56
CW30007-101	LABEL, INSTRUCTION, 204	57
CW30023-101	ASSY, SEAT SUPPORT, 9 HOLE, CHM	76
CW30181-711	ASSY, POP PIN, 0.450 DIA NOSE, BLU	77
CW30165-752	HANDLE END CAP W/SET SCREWS, DIA 3/	101
CWAC220-901	GRIP, RUBBER, .75" OD HANDLE, 5.00"	102
CWGR2505-000	BUSHING, WEIGHT PLATE, LDPE PLASTIC	203
CWAC1133-101	ASSEMBLY, 5" WEIGHT STACK PIN & LEA	227
CW33870-102	ASSY, BARREL, TOP PLATE, ALUMINUM, SHRT	251
CW30184-901	PLATE, WEIGHT, SMALLTOP (STP-S), 0	281
CW10535-722	ASSY, PLATE, WEIGHT, SMALLTOP (STP-	299
CW32552-101	NUT, INSERT, THIN-NUT, LARGE FLANGE	400
CW12537-109	SHROUD, SHEET, STEEL, 4 BENDS, SKY WHI	402.01
CWPF3143-211	SHROUD, SHEET, STEEL, 3/32 THICK, 4 BEN	402.02
CWPF3143-221	SHROUD, SHEET, STEEL, 3/32 THICK, 4 BEN	402.03
CWPF3143-231	SHROUD, SHEET, STEEL, 3/32 THICK, 4 BEN	402.04
CWPF3143-241	SHROUD, SHEET, STEEL, 3/32 THICK, 4 BEN	402.05
CWPF3143-251	SHROUD, SHEET, STEEL, 3/32 THICK, 4 BEN	402.06
CWPF3143-261	SHROUD, SHEET, STEEL, 3/32 THICK, 4 BEN	402.07
CWPF3143-271	SHROUD, SHEET, STEEL, 3/32 THICK, 4 BEN	402.08
CWPF3143-281	SHROUD, SHEET, STEEL, 3/32 THICK, 4 BEN	402.09
CWPF3143-291	SHROUD, SHEET, STEEL, 3/32 THICK, 4 BEN	402.11
CWPF3143-311	SHROUD, SHEET, STEEL, 4 BENDS, TITANIU	402.12
CWPF3143-321	SHROUD, SHEET, STEEL, 3/32 THICK, 4 BEN	402.13
CWPF3143-331	SHROUD, SHEET, STEEL, 3/32 THICK, 4 BEN	402.14
CWPF3143-341	SHROUD, SHEET, STEEL, 3/32 THICK, 4 BEN	402.15
CWPF3143-351	SHROUD, SHEET, STEEL, 3/32 THICK, 4 BEN	402.16
CWPF3143-361	SHROUD, SHEET, STEEL, 3/32 THICK, 4 BEN	402.17
CWPF3143-711	SHROUD BRKT, PLATE, STEEL, 1/8 THICK, 1	403
CWPF3144-721	SHROUD BRKT, PLATE, STEEL, 1/8 THICK, 2	404
CWPF3145-721	SCREW, BUTTON HEAD, BLK XYLAN, 5/16	405
CWTAYN031-100	WASHER, SPLIT, 5/16 ID, BL	406
CWWALYN031-008	WASHER, FLAT, TYPE A, SAE, 5/16 ID	407
CWWBKN031-007	FLOOR PROTECTOR, RUBBER, 4.563 X 4.	501
CWAC1177-101	FLOOR PROTECTOR, RUBBER, 2.563 X 4.	502